



Whether it is to extend the life of your truck body or designing with the safety of your drivers and pedestrians in mind, Morgan Corporation is dedicated to offering innovative side-guard, toolbox and step/ladder products that do just that!



Side Guard Protection

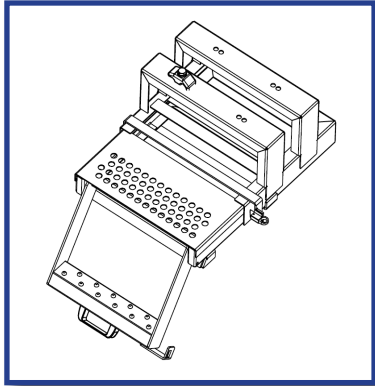
- Euro-style side guard protection to minimize potential for injury to pedestrians and cyclists. Morgan side guards are certified to Volpe Standard (DOT-VNTSC-OSTR-16-05) and are BIC approved.



Poly Toolboxes

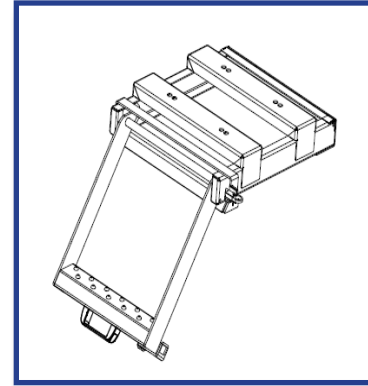
- Robust impact resistant polypropylene toolbox reduces weight, eliminates corrosion potential and is sealed for better resistance to water intrusion.

OPTIONS THAT SET THE STANDARD



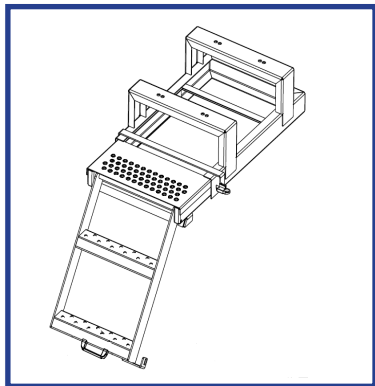
Side Door Pullout Step w/ Platform (2 Steps)

- Easy to operate, durable, corrosion free side door pullout steps
 - Part#: 4560097471
 - MFH: 27" Max



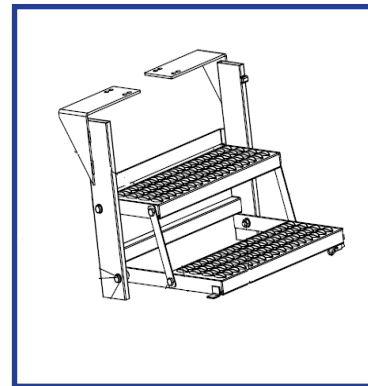
Side Door Pullout Step w/o Platform (2 Steps)

- Easy to operate, durable, corrosion free side door pullout steps
 - Part#: 4560097473
 - MFH: 27" Max



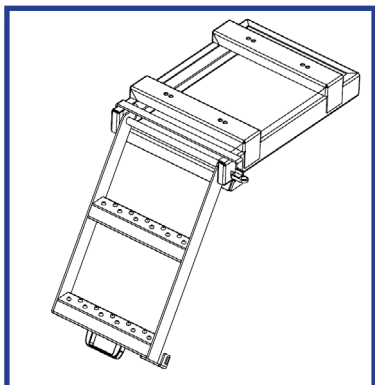
Side Door Pullout Step w/ Platform (3 Steps)

- Easy to operate, durable, corrosion free side door pullout steps
 - Part#: 456009747
 - MFH: 27"-43"



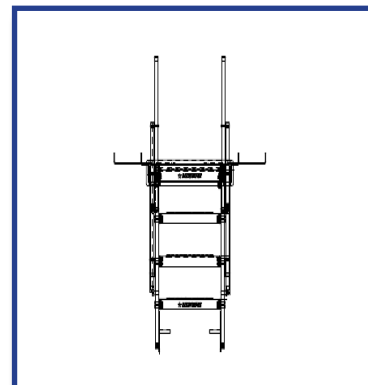
Side Door Folding Step w/o Platform (2 Steps)

- Easy to operate, durable, corrosion free side door pullout steps
 - Part#: 456009749
 - MFH = 25" - 43"



Side Door Pullout Step w/o Platform (2 Steps)

- Easy to operate, durable, corrosion free side door pullout steps
 - Part#: 4560097472
 - MFH = 25" - 43"



Rear Sliding Ladder Step with Handrails (4 & 5 Steps)

- Easy to operate, unique design, corrosion free rear pullout stairs with handrail. Retreats into subframe.
 - PT#: (4)4560097481 : (5)456009748
 - MFH = 20" - 29" : 30" - 43"

Products as shown are optional equipment that are not part of the standard Morgan truck body configuration. Some product images may differ from current configurations and may not be available as depicted at the time of your order. Please contact your Morgan Representative for available options, complete up-to-date specifications and for measurements for your particular truck body and chassis specifications.